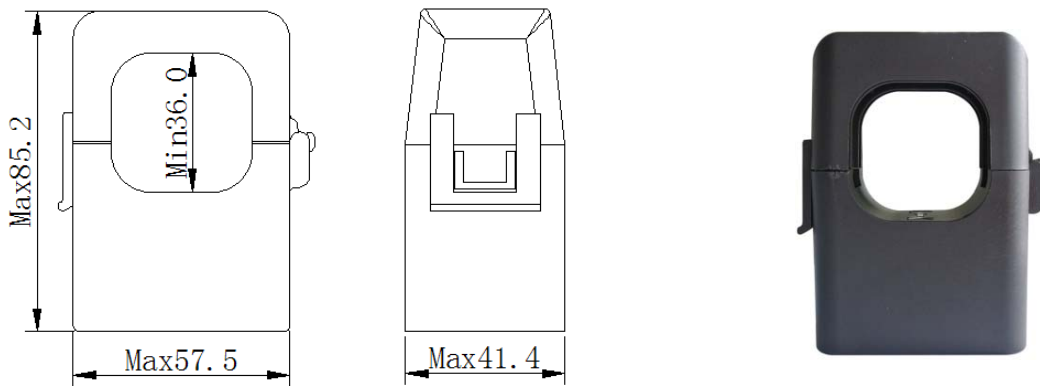


SCT-T36 split core CT

1. Datasheet:

- 1、 rated V: 0.66KV;
- 2、 insulation V: 2KV;
- 3、 rated H: 50Hz or 60Hz;
- 4、 environment temperature: -15°C~+40°C;
- 5、 Flame retardant properties: UL94-V0;
- 6、 certification: CE、 ETL

2. SIZE (UNIT:mm) :



3. models:

1、 output:5A

Models	input (A)	output (A)	MAX (A)	Lead wire	Ratio error (for input range 5%-120%)	
					F(I)%	δ (I)°
SCT0036-100A/5A	100	5	170	2.5 mm ² /1 m	≤1%	≤1°
SCT0036-250A/5A	250	5	420	2.5 mm ² /1 m	≤0.5%	≤0.7°
SCT0036-300A/5A	300	5	540	2.5 mm ² /1 m	≤0.5%	≤0.2°
SCT0036-400A/5A	400	5	720	2.5 mm ² /1 m	≤0.5%	≤0.2°
SCT0036-600A/5A	600	5	960	2.5 mm ² /1 m	≤0.5%	≤0.1°

2、 output: 1A

models	input (A)	output (A)	MAX (A)	Lead wire	Ratio error (for input range 5%-120%)	
					F(I)%	δ (I)°
SCT0036-200A/1A	200	1	600	1.5 mm ² /2,5 m	≤0.5%	≤0.3°
SCT0036-300A/1A	300	1	700	1.5 mm ² /2,5 m	≤0.5%	≤0.2°
SCT0036-500A/1A	500	1	800	1.5 mm ² /2,5 m	≤0.5%	≤0.1°

4. curve:

